

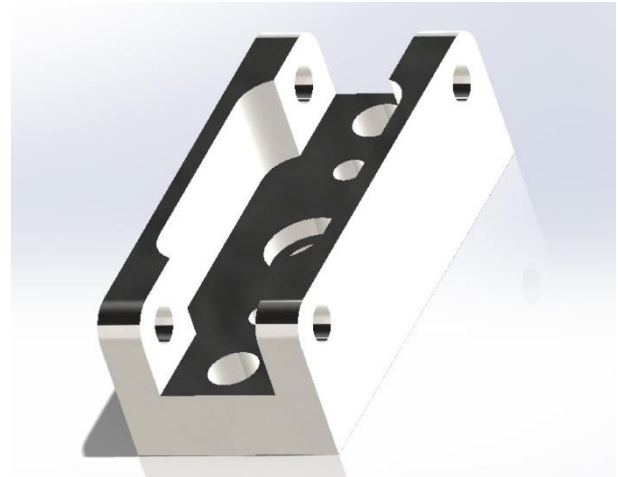
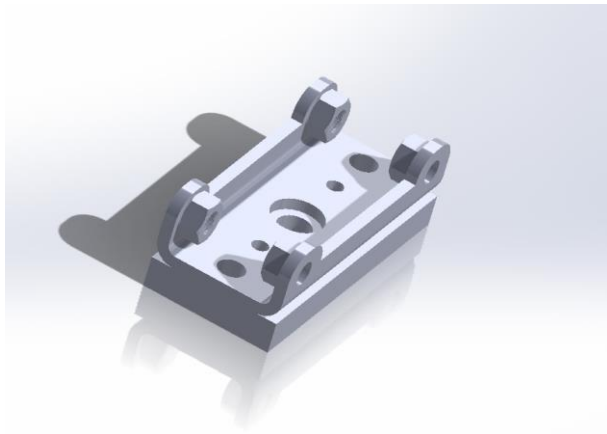
**c & j components | cnc manufacturing engineers**

## **ENGINEERING PROJECT EXAMPLE**

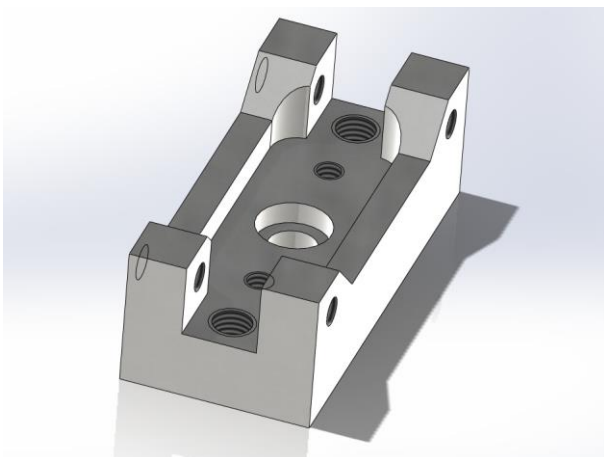
### **BRIEF**

To alter the design of a fabricated component, already in production, which was proving to be difficult in that it would not hold the tolerances required for assembly. C & J components were asked by the customer's design department to offer advice and quote as a machined part.

### **INITIAL DESIGN & INTERMEDIATE VERSION**



### **FINAL CAD & MACHINED COMPONENT**



### **CONCLUSION**

The final component proved to be very accurate whilst also offering a significant saving in the cost of manufacture.